



## BC250

### Term Tech Beam Clip 4mm-8mm Flange 6.5mmØ Fixing Hole 950N Static Load (Bag of 25)



The Termination Technology range of girder clips covers a wide range of cable fixing clips, hangers, brackets and more. Suitable for fixing cables, conduits, rods and lights to beams and girders across a range of flange sizes. Other specialist clips or bespoke sizes can also be sourced, just let us know your requirements. All supplied in trade counter packs of 25.

## Technical Data

### Colour and Material

Material	Spring Steel
Surface Treatment	Delta-Tone 9000 (480 Hours)

### Application Type, Size and Range

Suitability	Static Loads Only
-------------	-------------------

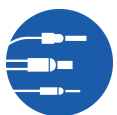
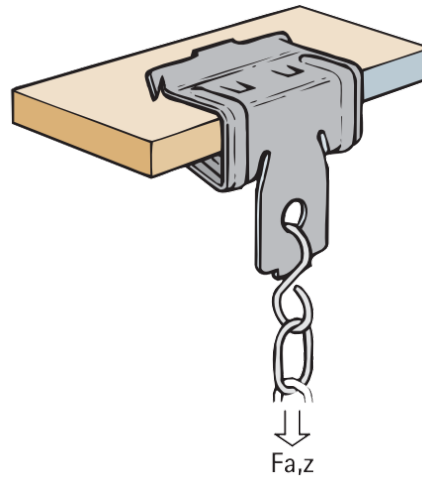
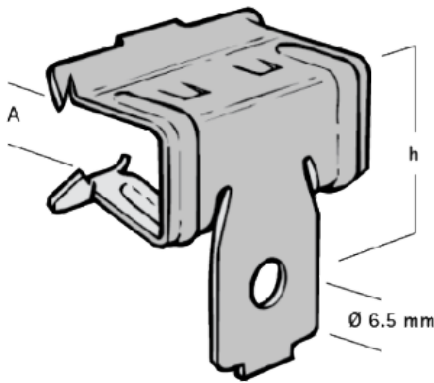
### Dimensions

Dimension A (mm)	4 - 8
Dimension H (mm)	39
Fixing Hole (mm)	6.5

### Weight and Load

Load (N) (Fa,z)	950
-----------------	-----





**Termination  
Technology Ltd**

*Quality and Service*

The company with the **RIGHT** connections at the **RIGHT** price.

Company Registration Number: 05062297

**W:** [www.termtech.co.uk](http://www.termtech.co.uk)

**T:** 01179 354 900

**E:** [sales@termtech.co.uk](mailto:sales@termtech.co.uk)

Termination Technology Ltd, Unit 4C Crofts End Ind Estate, Crofts End Road,  
Bristol BS5 7UW

