

BC125

Term Tech Beam Clip 2mm-4mm Flange 6.5mmØ Fixing Hole 450N Static Load (Bag of 25)



The Termination Technology range of girder clips covers a wide range of cable fixing clips, hangers, brackets and more. Suitable for fixing cables, conduits, rods and lights to beams and girders across a range of flange sizes. Other specialist clips or bespoke sizes can also be sourced, just let us know your requirements. All supplied in trade counter packs of 25.

Technical Data

Colour and Material

Material	Spring Steel
Surface Treatment	Delta-Tone 9000 (480 Hours)

Application Type, Size and Range

Suitability	Static Loads Only
-------------	-------------------

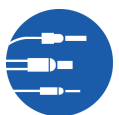
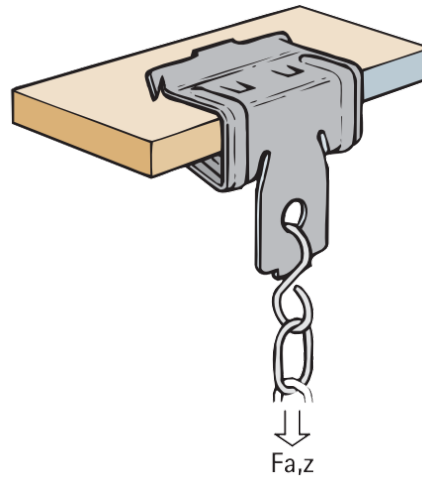
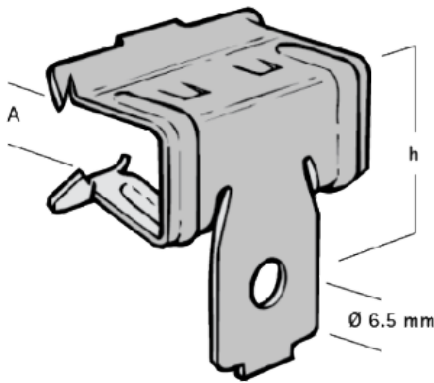
Dimensions

Dimension A (mm)	2 - 4
Dimension H (mm)	27
Fixing Hole (mm)	6.5

Weight and Load

Load (N) (Fa,z)	450
-----------------	-----





**Termination
Technology Ltd**

Quality and Service

The company with the **RIGHT** connections at the **RIGHT** price.

Company Registration Number: 05062297

W: www.termtech.co.uk

T: 01179 354 900

E: sales@termtech.co.uk

Termination Technology Ltd, Unit 4C Crofts End Ind Estate, Crofts End Road,
Bristol BS5 7UW

