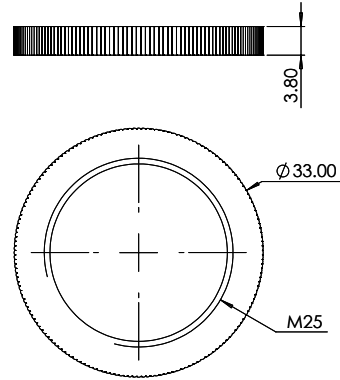


Product Code: QLR25G

Luckinslive 437541064

Description: 25mm BZP Milled Edge Lockring



Dimensions

Thickness (mm)	3.8
Inner Diameter (mm)	25
Outer Diameter (mm)	33
Thread Size	M25

General Information

Finish	Zinc Plated
--------	-------------

Materials

Material	Steel
----------	-------

Standards

BS EN 61386-1:2008

