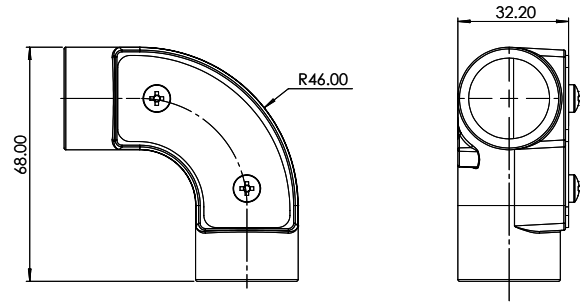


Product Code: QIE25G

Luckinslive 437540939

Description: 25mm Galvanised Inspection Elbow



Dimensions

| | |
|---------------------|------|
| Outer Diameter (mm) | 30.1 |
| Thread Size | M25 |

General Information

| | |
|--------------|------------------|
| Finish | Galvanised |
| Conduit Type | Inspection Elbow |

Materials

| |
|--------------------------|
| Material: Malleable Iron |
|--------------------------|

Standards

| |
|--------------------|
| BS EN 61386-1:2008 |
|--------------------|

