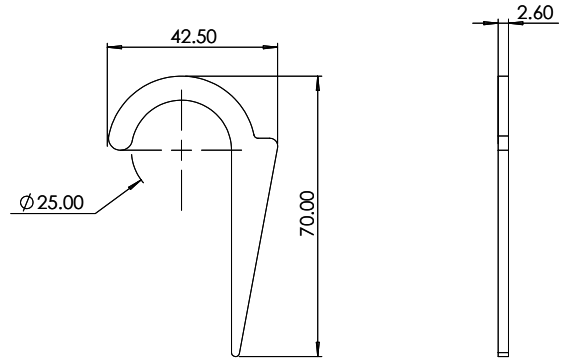
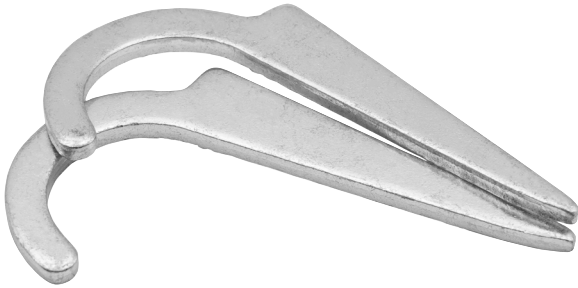


Product Code: QCF25G

Luckinslive 437540573

Description: 25mm BZP Flat Crampet



**Dimensions**

Inner Diameter (mm)	25
---------------------	----

**General Information**

Finish	Zinc Plated
Conduit Type	Flat

**Materials**

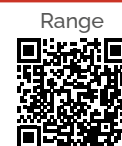
Material: Steel
-----------------

**Standards**

BS EN 61386-1:2008
--------------------



CLICK OR SCAN



CLICK OR SCAN