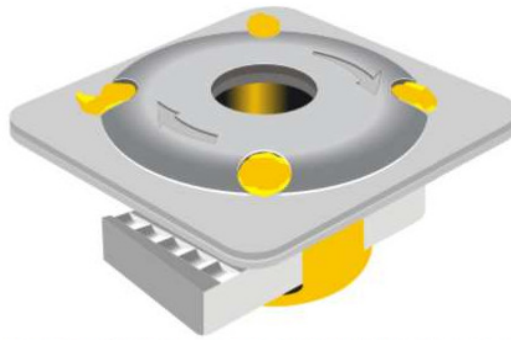


CHANNEL NUTS IN CARBON STEEL & STAINLESS STEEL



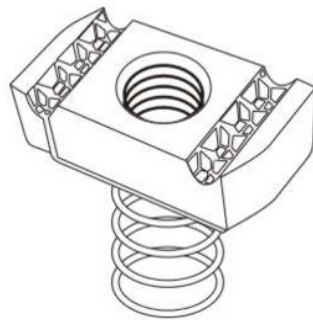
PLASTIC INTEGRATED CHANNEL NUT ASSY.
(SPECIAL ORDER)

email : sales@csslimited.com

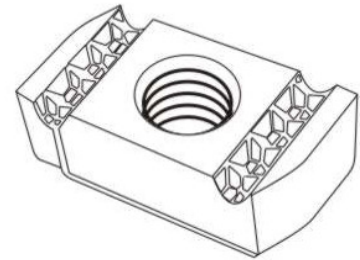
CHANNEL NUTS



LONG SPRING



SHORT SPRING



NO SPRING

For Use In :
All Channel Sections & Concrete Inserts.

Channel Nuts are self centering and are manufactured from quality steel with zinc plated finish to BS 3382 Part 2
For best results use M 12 size. Recommended tightened tension is 5-7 Kgf.

Part No. Long Spring	Part No. Short Spring	Part No. No Spring	Thread Size	Material Thickness
CSS-CNLM6	CSS-CNS6	CSS-CNP6	6 mm.	6 mm.
CSS-CNLM8	CSS-CNS8	CSS-CNP8	8 mm.	6 mm.
CSS-CNLM10	CSS-CNS10	CSS-CNP10	10 mm.	8 mm.
CSS-CNLM12	CSS-CNS12	CSS-CNP12	12 mm.	10 mm.

SOLD IN 100'S