

Rhine III

08886 RHI350-SCT

Rhine III 50W Floodlight, CCT switchable, Black

- Switchable CCT (3000/4000/6500K)
- Surge protection
- Die-cast aluminium body
- Slim profile
- 1m of H05RN-F 3 x 1mm² cable



Overview

The Rhine III LED Floodlights make ideal replacements for energy-hungry halogen lighting. Suitable for outdoor use, the range offers affordable products with high lumen efficiency and a long life. Plus, its CCT switchable capabilities mean you can change the ambience for your environment.



IP65



General Information

IK Rating	IK06
IP Rating	IP65
Materials	Housing: Die-cast aluminium
Protection Rating	Class I
Installation Area	Internal and External
L80B10 Lifetime (h) @Ta 25 °C	83,000 h

Technical Summary

Product Code	RHI350-SCT
Input Voltage Supply	220-240Vac 50/60Hz
Inrush Current (peak/duration) (A)	0.50A/60µs
Default Power	50 W
Power Factor	0.9
Settable Colour Temperatures	3000K (Warm White), 4000K (Cool White), 6500K (Day Light)
SDCM of CCT	6
CRI	82
Dimmable	N
Flicker	100%
Lumens Output Maximum	5,750 lm
L70B50 Lifetime (h) @Ta 25 °C	132,000 h
L80B10 Lifetime (h) @Ta 25 °C	83,000 h
Nominal Lifetime (h)	30,000 h
Glow wire temperature(°C)	650
Blue Light Hazard	RG1
Dimensions (L x W x D) (mm)	183x198x150
Beam Angle - Lumi (°)	110

Tel: 01635 523 713

Email: sales@kosnic.com

Kosnic.com



08886

RHI350-SCT

Overview

The Rhine III LED Floodlights make ideal replacements for energy-hungry halogen lighting. Suitable for outdoor use, the range offers affordable products with high lumen efficiency and a long life. Plus, its CCT switchable capabilities mean you can change the ambience for your environment.



IP65



General Information

IK Rating	IK06
IP Rating	IP65
Materials	Housing: Die-cast aluminium
Nominal Lifetime (h)	30,000 h
Protection Rating	Class I
Installation Area	Internal and External

Accessories

Product Code	Description	Type
KCWP3IN	IP67 in-line connector	Connector kit

Technical	
Input Voltage Supply	220-240Vac 50/60Hz
Default Power	50 W
Power Factor	0.9
Settable Colour Temperatures	3000K (Warm White), 4000K (Cool White), 6500K (Day Light)
SDCM of CCT	6
Flicker	100%
Lumens Output Maximum	5,750 lm
Nominal Lifetime (h)	30,000 h
L80B10 Lifetime (h) @Ta 25 °C	83,000 h
Dimensions (L x W x D) (mm)	183x198x150
Ambient Light Threshold (lux)	-20°C to 50°C
Beam Angle - Lumi (°)	110
Blue Light Hazard	RG1
Finishing	Black
Glow wire temperature(°C)	650
IK Rating	IK06
Inrush Current (peak/duration) (A)	0.50A/60µs
Installation Area	Internal and External
L70B50 Lifetime (h) @Ta 25 °C	132,000 h
Materials	Housing: Die-cast aluminium
Maximum Current Draw (mA)	225 mA
Protection Rating	Class I
Surge Capacity	2000V
IP Rating	IP65
EPREL - Light Source (LS)	
CRI	82
Dimmable	N
LS Anti-Glare Shield (Y/N)	N
LS Beam Angle correspondence (in 360°/120°/90°)	in 360°
LS Chromaticity Co-Ordinates (X)	0.382
LS Chromaticity Co-Ordinates (Y)	0.38
LS Colour Consistency in Mcadam Ellipses (Mains LED/OLED)	6
LS CRI (max)	84
LS CRI (min)	80
LS Depth (mm) - LS	45
LS Directional / Non Directional (DLS/NDLS)	NDLS
LS Displacement Factor	0.95
LS Energy Consumption in on-mode (kWh/1000H)	50
LS Energy Efficiency Class	E
LS Flicker metric (pst LM) (x,x)	0.1
LS Height (mm) - LS	198
LS Light Source Cap Type (or other interface)	Wires
LS Lighting Technology Used	LED
LS Lumen Maintenance Factor (x,xx)	0.96
LS Mains / Non-Mains (MLS/NMLS)	MLS
LS On-Mode Power (Pon) (W)	50
LS R9 CRI (LED/OLED)	9
LS Standby Power (Psb) (W)	0

Tel: 01635 523 713

Email: sales@kosnic.com

Kosnic.com



Rhine III

08886

RHI350-SCT

LS Survival Factor (x.xx)	0.9
LS Width (mm) - LS	198
LS CCT (K)	4,000
LS Useful Luminous Flux (lm)	5,750 lm

Overview

The Rhine III LED Floodlights make ideal replacements for energy-hungry halogen lighting. Suitable for outdoor use, the range offers affordable products with high lumen efficiency and a long life. Plus, its CCT switchable capabilities mean you can change the ambience for your environment.

CCT (K)	Chromaticity Co-Ordinate (x)	Chromaticity Co-Ordinate (y)	Lumen (lm)	R9 CRI
3000 (Warm White)	0.434	0.403	5500	-6
4000 (Cool White)	0.382	0.380	5750	9
6500 (Day Light)	0.313	0.328	5500	-14



IP65



General Information

IK Rating	IK06
IP Rating	IP65
Materials	Housing: Die-cast aluminium
Nominal Lifetime (h)	30,000 h
Protection Rating	Class I
Installation Area	Internal and External

Tel: 01635 523 713

Email: sales@kosnic.com

Kosnic.com

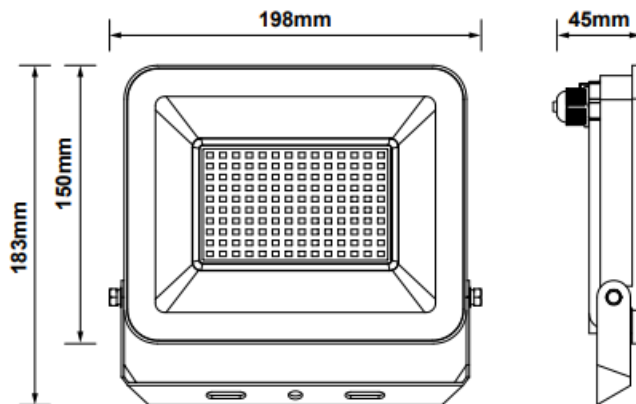


Rhine III

08886

RHI350-SCT

RHI350-SCT



Overview

The Rhine III LED Floodlights make ideal replacements for energy-hungry halogen lighting. Suitable for outdoor use, the range offers affordable products with high lumen efficiency and a long life. Plus, its CCT switchable capabilities mean you can change the ambience for your environment.



IP65



General Information

IK Rating	IK06
IP Rating	IP65
Materials	Housing: Die-cast aluminium
Nominal Lifetime (h)	30,000 h
Protection Rating	Class I
Installation Area	Internal and External

Tel: 01635 523 713

Email: sales@kosnic.com

Kosnic.com



08886

RHI350-SCT

Overview

The Rhine III LED Floodlights make ideal replacements for energy-hungry halogen lighting. Suitable for outdoor use, the range offers affordable products with high lumen efficiency and a long life. Plus, its CCT switchable capabilities mean you can change the ambience for your environment.



IP65



General Information

IK Rating	IK06
IP Rating	IP65
Materials	Housing: Die-cast aluminium
Nominal Lifetime (h)	30,000 h
Protection Rating	Class I
Installation Area	Internal and External

Tel: 01635 523 713

Email: sales@kosnic.com

Kosnic.com

