

ESPIRE

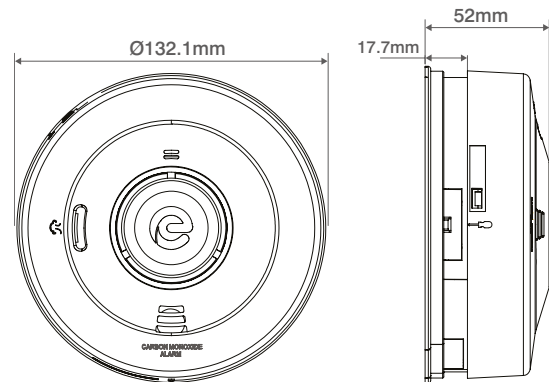
Product Code: ES1CLV

Description: Carbon Monoxide Alarm Powered by Mains with a 10 Year Lithium Battery

Technical Specification Sensor Alarm

Luckinslive 437540272

ESP
ScolmoreGROUP



General Information

Dimensions (mm)	Ø132 x 52
Colour	White
Materials	UL94-V0 rated UV stabilised ABS
Mounting	Ceiling or Wall
Recommended Installation Locations	Fuel Burning Areas & Kitchen Areas
Indication	3 LEDs; Green - Power, Yellow - Fault, Red - Fire / CO
Auto Dim Power LED	Day Mode and Night Mode (Not intrusive to sleep)
Manual Test Button	Checks sensor, electronics & sounder
Weight (Kg)	0.26
Warranty (Years)	5

Technical

Sensor Type	Carbon Monoxide
Sounder Output (dB)	85 @ 3m
Hush Function	Alarm hush - 10 minutes, Fault hush - 12 hours
CO Detection Levels	Low - ≤50 PPM, Medium - ≤100 PPM, High - ≤180 PPM
Installation Grade	D1

Supply, Power & Backup

Supply Type	Mains AC with battery backup
Supply Voltage (V AC)	230
Frequency (Hz)	50
Maximum Power Consumption (W)	3.3
Standby Power Consumption (W)	0.5
Battery Backup	Non-replaceable 10 Year Battery
Battery Type	3V Lithium
Battery Size	CR123A
Battery Chemistry	Lithium
Battery Lifetime	10 Year

Interconnectability

Wired Interconnect Supported	Yes
Maximum Interconnect Wiring Distance (m)	300
RF-LINK Supported	Yes; Requires ES1RF
Maximum Supported Wired & RF-LINK Interconnected Devices	28

Environment

Operating Temperature (°C)	0 to +40
Relative Humidity Resistance (%)	95 (non-condensing)

Accessories

ES1RF: Alarm RF-Link Module
 ES1MP: Alarm Masking Plate
 ES1MTW: Alarm Multi Tool (2 Pack) White
 ES1MTB: Alarm Multi Tool (2 Pack) Black

Features

Lock-in wiring base
 24 hour memory function
 Clear LED indication status



Unit 7 Target Park, Shawbank Road,
 Lakeside, Redditch B98 8YN United Kingdom
T: +44 (0)1527 515150 | **F:** +44 (0)1527 515143
E: info@espuk.com | **W:** espuk.com

CLICK OR SCAN

Catalogue



DoC



Installation



Quick Start



CLICK OR SCAN