

Della

07078 DEL150-W65

Della flood light IP65 150W 110° 6500K Black

- Models available with asymmetric optic lens
- Long life of 50,000hrs
- Diecast aluminium body
- Surge protection
- 1m of H05RN-F 3 x 1.0mm² cable



Overview

The Della floodlight comes in a range of wattage options and beam angles.



IP65



General Information

Ambient Temperature Range (°C)	-20°C to 50°C
IK Rating	IK08
IP Rating	IP65
Protection Rating	Class I
Installation Area	External
L80B10 Lifetime (h) @Ta 25 °C	105,000 h

Compliance

LVD	EN 60598-1:2024, EN 60598-2-5:2015
EMC	EN 55015:2019+A11:2020, EN 61000-3-2:2019+A1:2021, EN 61000-3-3:2013+A1:2019+A2:2021, EN 61547:2023
Others	RoHS, WEEE

Technical Summary

Product Code	DEL150-W65
Input Voltage Supply	220-240Vac 50/60Hz
Inrush Current (peak/duration) (A)	1.7A/80µs
Default Power	150 W
Power Factor	0.99
Default CCT	6,500 K
SDCM of CCT	<6
CRI	82
Dimmable	N
Flicker	75%
Lumens Output Maximum	18,000 lm
Maximum Efficiency	103 lm/W
L70B50 Lifetime (h) @Ta 25 °C	167,000 h
L80B10 Lifetime (h) @Ta 25 °C	105,000 h
L90B10 Lifetime (h) @Ta 25 °C	51,000 h
Nominal Lifetime (h)	50,000 h
Glow wire temperature(°C)	650
Blue Light Hazard	RG1
Weight	3.8Kg
Dimensions (L x W x D) (mm)	333x395x51
Beam Angle - Lumi (°)	110

Tel: 01635 523 713

Email: sales@kosnic.com

Kosnic.com



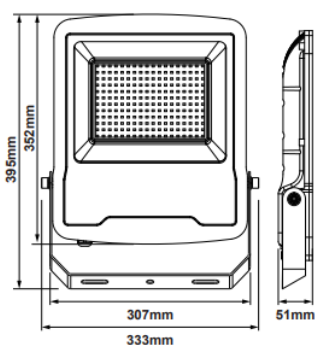
07078 DEL150-W65

Accessories

Product Code	Description	Type
KCWP3IN	IP67 in-line connector	Connector kit

Overview

The Della floodlight comes in a range of wattage options and beam angles.



General Information

Ambient Temperature Range (°C)	-20°C to 50°C
IK Rating	IK08
IP Rating	IP65
Nominal Lifetime (h)	50,000 h
Protection Rating	Class I
Installation Area	External

Tel: 01635 523 713

Email: sales@kosnic.com

Kosnic.com

