

Data sheet

Part No. **CB 3 WH**

Description distribution box

Circular box for surface installation with 2 mounting lugs, standard mounting screw spacing 50.8mm (2") for conduit diameters 20mm to 25mm, with brass inserts M 4, without lid

Colour white, similar to RAL 9010

PVC-LSF 

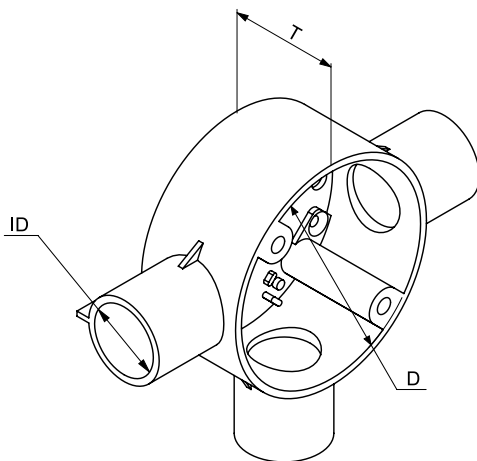


Standard: BS 4607, EN 60670



Working temperature	Degree of protection (IP)	Number of inlets
-5 to +60°C	IP3X	3

Art. no.	Dimensions Ø/L x W x D	For tube diameter	PU	PU
104 244 CB 20/3 WH	65 x 32 mm	20 mm	25 pc	240 pc
104 249 CB 25/3 WH	65 x 32 mm	25 mm	20 pc	200 pc



For sale in the UK market only.